

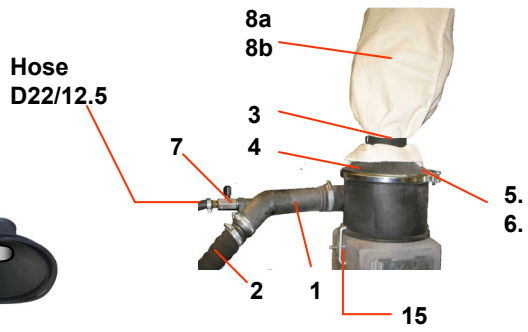
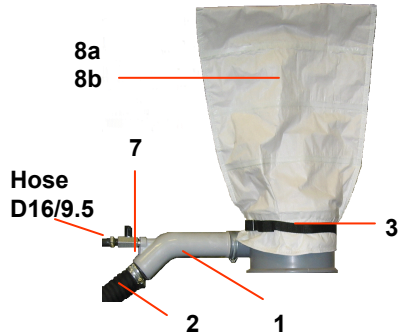


OPC Flux recovery Wear parts

***Secure your welding quality and
productivity with ESAB original parts***



OPC - powerful and reliable flux recovery without moving parts



OPC Basic

1	Ejector	0147 640 880
2	Spiral hose	0191 813 801
3	Tension band	0192 855 002
4	Cone	0148 143 001*
5	Tension ring	0148 144 001*
6	O-ring 189.3x5.7	0215 201 353
7	Ball valve	0145 824 881
8a	Filter, paper	0155 966 001
8b	Filter, cotton	0332 448 001*
9	Funnel	0148 142 001
10	Rubber lining	0145 565 001
11	O-ring 149.2x5.7	0215 201 345
12	Cyclone	0148 141 001
13	Rubber lining	0145 073 001
14	Tension spring	0145 815 001
16	Strainer	0020 301 780

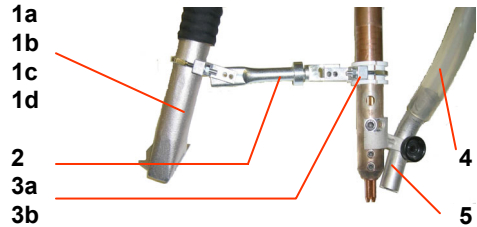
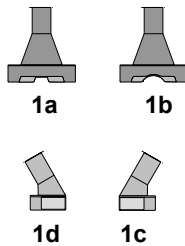
OPC Super

1	Ejector	0339 720 001
2	Spiral hose	0191 813 801
3	Tension band	0192 855 002
4	Cone	0332 279 001
5	Tension ring	0148 144 001
6	O-ring 189.3x5.7	0215 201 353
7	Ball valve	0333 625 001
8a	Filter, paper	0155 966 001
8b	Filter, cotton	0332 448 001*
9	Funnel	0332 280 001
10	Rubber lining	0332 282 001
11	O-ring 149.2x5.7	0215 201 345
12	Cyclone	0332 281 001
13	Rubber lining	0332 283 001
14	Tension spring	0145 815 002
15	Clamp	0340 612 001
16	Strainer	0020 301 780

* Optional item

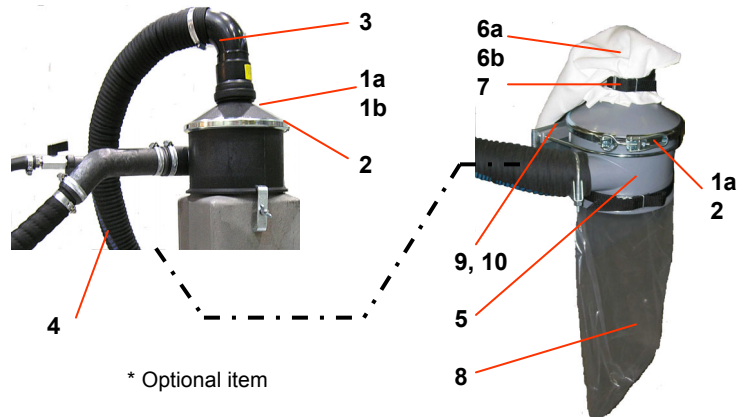
Suction nozzle

1a	Butt weld 1	0145 501 001
1b	Butt weld 2	0145 502 001
1c	Fillet weld left	0145 504 001
1d	Fillet weld right	0145 505 001
2	Nozzle bracket	0147 384 881
3a	Insulator D20	0145 131 004
3b	Insulator D35	0145 131 002
4	Flux hose D32.0/25.0	
	free length / m	0443 383 001
	length 0.5 m	0443 383 002
5	Pipe bent	0153 296 001



Cyclone filter

1a	Cone Basic	0148 143 001
1b	Cone Super	0332 279 001
2	Tension ring	0148 144 001
3	Bend	0413 576 001
4	Spiral hose	0193 125 003
5	Cyclone	0148 141 001
6a	Filter, paper	0155 966 001
6b	Filter, cotton	0332 448 001*
7	Tension band	0192 855 002
8	Plastic bag	0190 665 004
9	U-screw	0379 600 001
10	Bracket	0379 599 880



* Optional item

ESAB reserves the right to alter specification without prior notice
ESAB is approved according to ISO 9001:2000



ESAB AB
Welding Equipment
SE-695 81 LAXÅ SWEDEN
Phone: +46 584 81000
Fax: +46 584 81243

www.esab.com