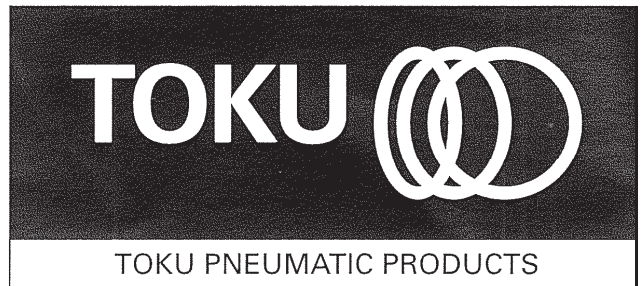


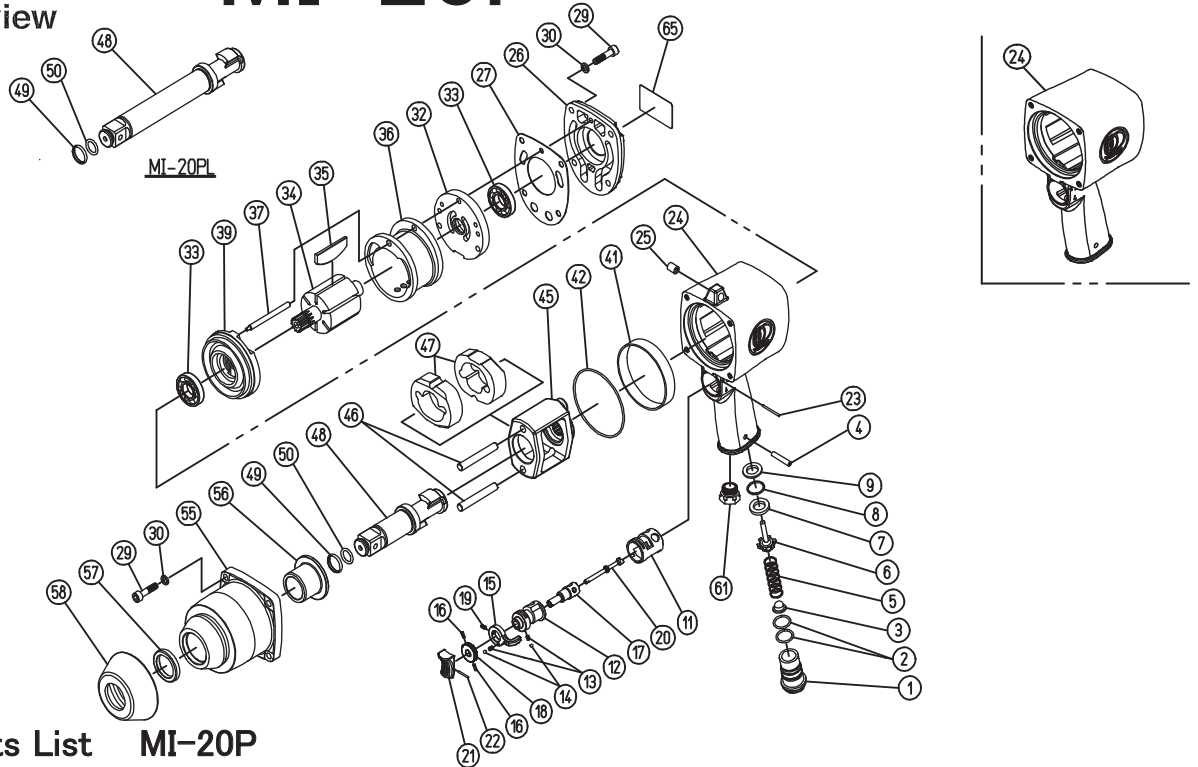
MAINTENANCE INSTRUCTIONS

3/4" IMPACT WRENCH



MODEL MI-20P

Exploded view



Parts List MI-20P

Index No.	Parts No.	Description	Q'ty Req.	Index No.	Parts No.	Description	Q'ty Req.
001	43-14-38-060	Inlet Bushing (PT)	1	033	13-01-20-005	Bearing (EE-5)	2
	43-14-36-070	Inlet Bushing (NPT)	(1)	034	43-14-36-390	Rotor	1
002	13-11-17-017	O-Ring (AS568-017)	2	035	13-71-07-012	Vane	6
003	13-68-03-049	Air Screen	1	036	43-18-96-360	Liner	1
004	13-06-20-058	Spring Pin (3/16 X25.4)	1	037	43-18-96-A70	Liner Pin	1
005	13-08-03-181	Throttle Valve Spring	1	039	43-18-96-38B	Front End Plate	1
006	43-13-94-080	Throttle Valve	1	041	43-18-96-930	Housing Adaptor Ring	1
007	13-68-04-007	Throttle Valve Seat	1	042	13-11-17-040	O-Ring (AS568-040)	1
008	13-11-03-015	O-Ring (S-18)	1	045	43-18-96-440	Hammer Frame	1
009	43-13-95-D80	Throttle Valve Spacer	1	046	43-18-96-460	Hammer Pin	2
011	43-18-96-201	Reverse Valve Bushing	1	047	43-18-96-450	Hammer	2
012	43-18-96-212	Reverse Valve	1	048	43-18-96-500	Anvil Shank	1
013	13-08-09-005	Spring	2	049	13-08-03-113	Socket Retainer	1
014	13-05-02-008	Steel Ball 1/8	2	050	13-11-01-013	O-Ring (P-12.5)	1
015	43-18-96-231	Reverse Valve Lever	1	055	43-18-96-520	Clutch Housing	1
016	13-06-02-208	Spring Pin 2 x 8	2	056	43-18-96-490	Shank Bushing	1
017	43-18-96-151	Control Valve	1	057	13-12-02-030	Oil Seal VB25355	1
018	43-18-96-261	Control Valve Knob	1	058	13-62-01-018	Nose Shield	1
019	13-22-03-006	Hex.Socket Seat Screw M3 x 6	1	061	43-18-96-051	Exhaust Deflector	1
020	43-18-96-100	Throttle Push Pin	1	065	13-73-05-093	Name Plate	1
021	13-67-03-060	Trigger	1				
022	13-06-01-134	Spring Pin (1.6 x 14)	1		43-18-96-50C	Anvil Shank S CP(Incl. Index No.48,49&50)	(1CP)
023	13-04-06-022	Pin	1		43-18-96-52C	Clutch Houjing CP (Incl.Index No.55,56&57)	(1CP)
024	43-18-96-011	Motor Housing	1	MI-20PL			
025	13-06-08-010	Spring Pin (8 x 10)	1	048	43-19-01-500	Anvil Shank L	1
026	43-18-96-350	Housing Cover	1	049	13-08-03-113	Socket Retainer	1
027	13-62-02-049	Housing Cover Packing	1	050	13-11-01-013	O-Ring (P-12.5)	1
029	13-17-06-025	Hex.Socket Head Cap Screw (M6 x 25)	8				
030	13-13-11-016	Spring Washer 1/4	8		43-19-01-50C	Anvil Shank S CP(Incl. Index No.48,49&50)	(1CP)
032	43-14-20-37B	Rear End Plate	1				